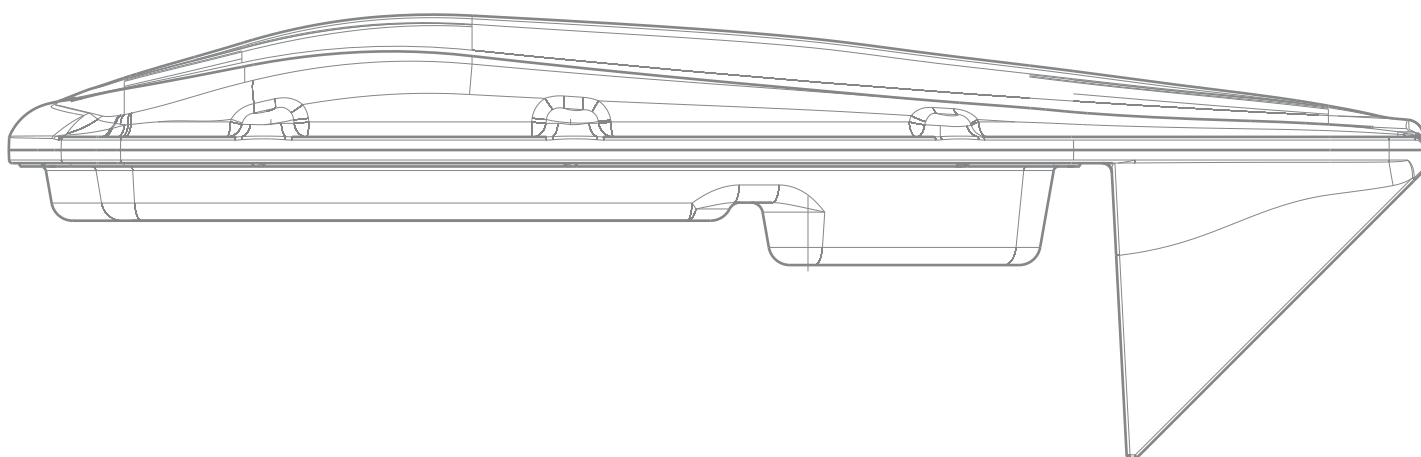


HIGH EFFICIENCY
LED STREET LIGHTS



AEROLITE LSL[®]

20 | 30



Best-selling model

Cutting edge light performance

Very low energy consumption

Environmentally friendly ECO technology

Smaller roadways, private driveways, parking lots, bicycle lanes, industrial buildings

efficiently illuminating your way

GRAH[®]
LED LIGHTING



360° Approach

With our own and **integrated 360° Approach™**, every single component of the luminaire is studied and constantly optimized from a totally new perspective to achieve unique innovative solutions in LED lighting.

Luxeon Rebel LEDs - top quality, awarded LEDs

LED GENION bar™ - optimized LED modules exploiting every LED source to the fullest extent

QUADRUM optics™ - FULL CUTOFF optics (IES and IDA standards) with high efficient reflector system directs light beams exactly where needed for achieving cutting edge light performance

I-NFINITY driver™ - customized, intelligent driver for optimal operation with ultra energy efficient output

MATRIX 3D light™ - unique light shape with asymmetric distribution of luminosity for best possible light uniformity and optimal covering of surfaces

COOLVERT™ - uniquely optimized heat dissipation extends life time and preserves light performance

AEROCOMPACT housing™ - aerodynamic, ultra slim luminaire with robust housing from aluminium alloy enabling increased overall performance and extended lifetime

ULTRA COATING™ - life time multi layer protection of casing for excellent durability

DIMMING



50% dimming with power line.

The luminaire has also ability to regulate light current from 1-100% with a rudder signal from 1-10 V.

APPLICATION

- Smaller roadways
- Private driveways
- Parking lots
- Bicycle lanes
- Industrial buildings

Wherever the required level of illumination is 0.5 cd/m^2 •

S3, ME5 road category according to EN 13201 •



TECHNICAL DATA

AEROLITE LSL®

20

30

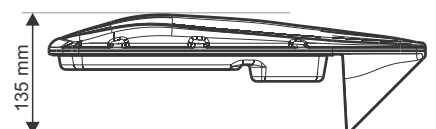
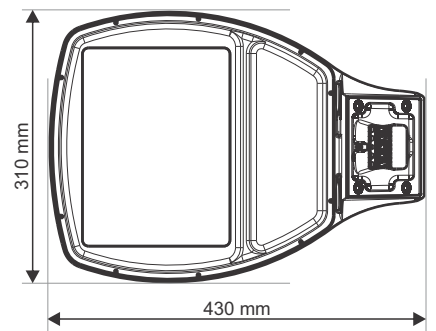
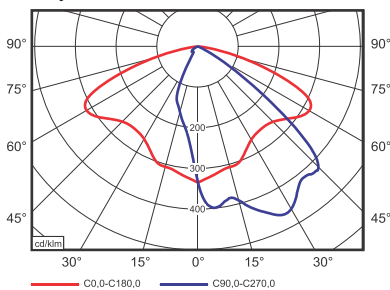
Light source	20	30
	high power LEDs by Lumileds	
Voltage	110 – 250 V (50 – 60 Hz)	
Driving current	500 mA	280 – 500 mA
Power consumption	34 W	27 – 48 W
	(depending on lumen package)	
Luminaire flux	3,000 lm	3,200 – 5,200 lm
Colour temperature	4000 K (other colour temperatures on request)	
System luminous efficiency	Up to 100 lm/W	
Lifetime	60,000 – 100,000 hours	
Ingress protection	IP66	
Shock protection	IK08	
Protection class	I or II	
Temperature range	-30 to +60 °C	
Operating temperature	+55 °C	
Material	Housing: aluminium alloy; Housing sealing: silicone, heat resistant Cover: PMMA	
Housing colour	RAL 9006 (other colours on request)	
Dimming	0 % / 50 % / 1 – 10 V	
Photocell adapter	On request	
Weight	3.44 kg	
Product dimensions (LxWxH)	430 mm x 310 mm x 135 mm	



LIGHT DISTRIBUTION

example

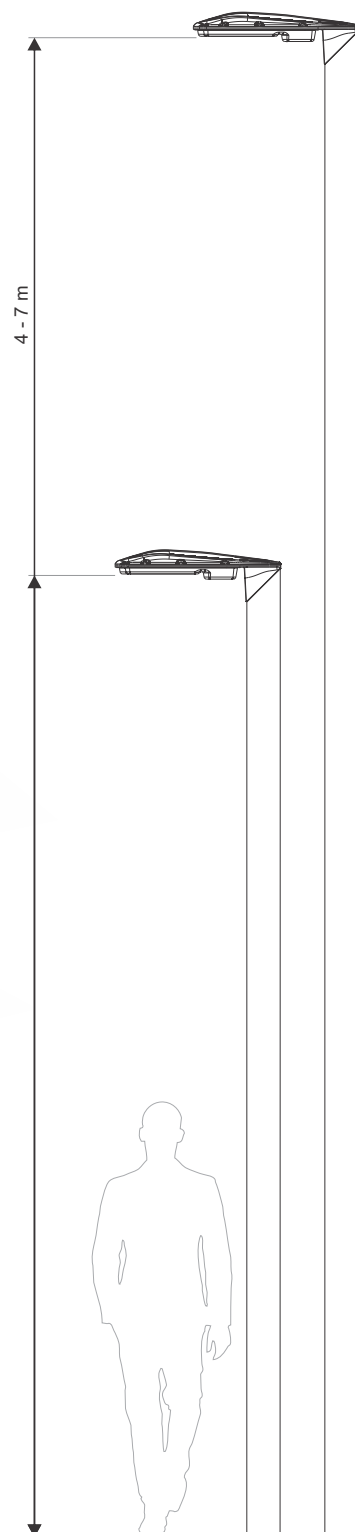
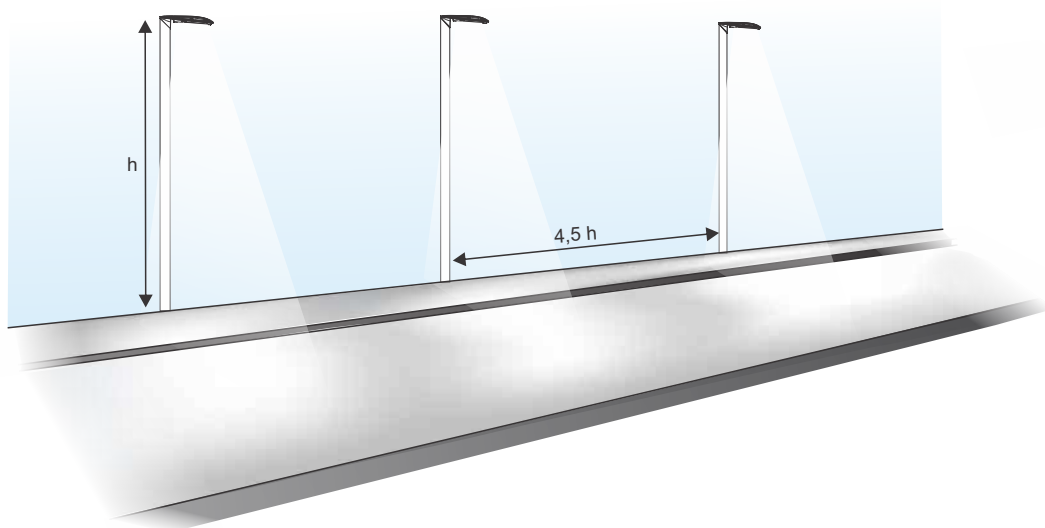
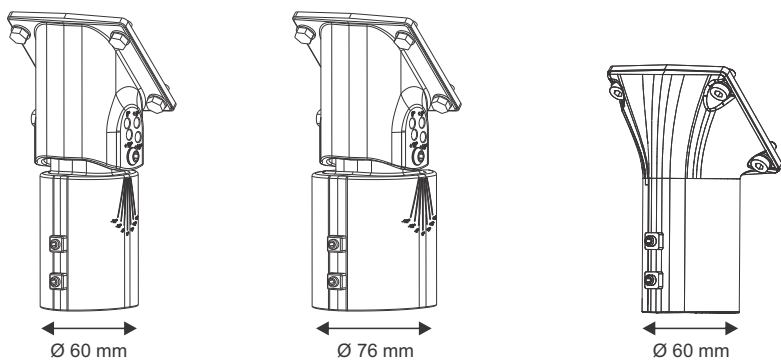
Asymmetric



MOUNTING

LSL[®] series together with recommended mounting height offers optimal solutions for all applications.

- Fast and universal mounting to a lamppost with a diameter of 60 or 76mm.
- Alternative mounting concepts possible on request.
- Fixed bracket or angle mounting bracket in the range of -15 ° to +15 °.
- Possible side-entry mounting.



Distributor

www.grahlighting.com

Manufacturer reserves all rights to make changes in materials and components used in its products. All data are subject to change without prior notification.

GRAH[®]
LED LIGHTING