

Mounting / operation instruction

Montage / Betriebsanleitung

Exterior street luminaire

Aussen Strassenleuchte

NEMA CELL



IK09



IP66



CLASS I

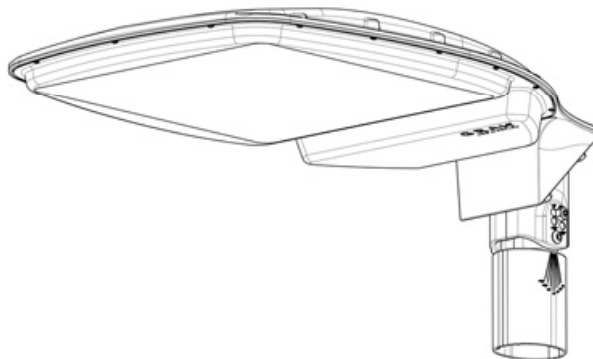




CLASS II

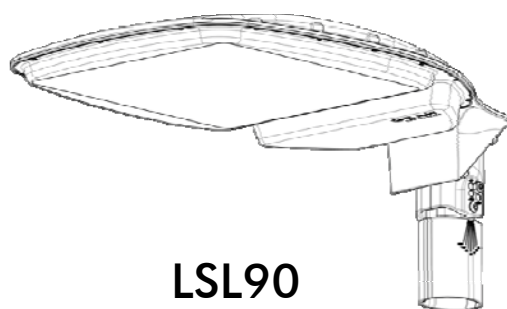
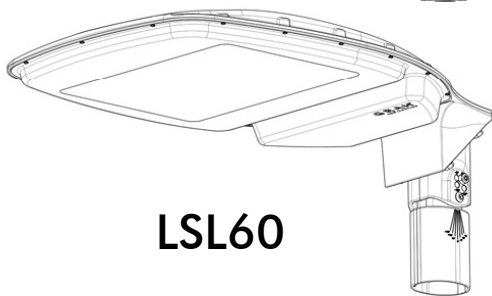
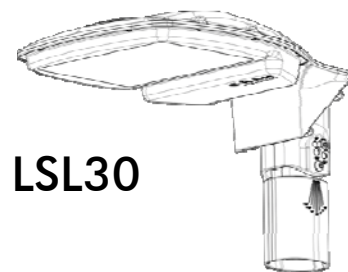
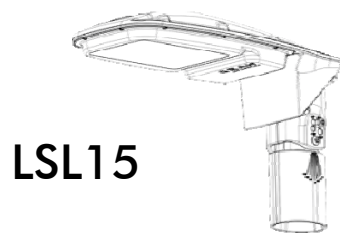
Keep for future reference!

Bitte aufbewahren!

Aerolite
LSL[®]



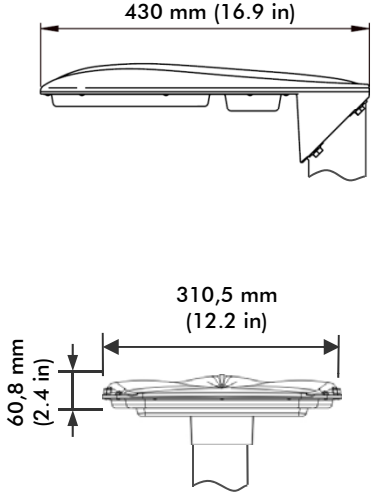

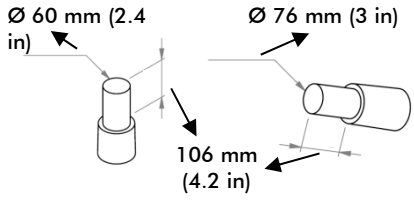
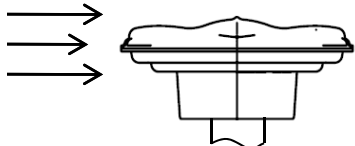


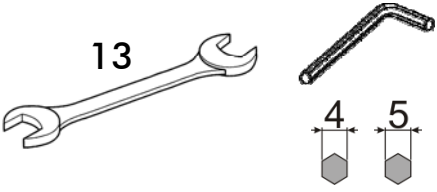
	STANDARD	
	Ø 60 mm (2.4 in)	
	Art. No. 1899921	
	OPTIONAL	
	Ø 60 mm (2.4 in)	Ø 76 mm (3 in)
	Art. No. 1899901	Art. No. 1899911



LSL15

<p>430 mm (16.9 in)</p> <p>200 mm (7.9 in)</p> <p>55 mm (2.2 in)</p>	<p>3 - 5 m (10 - 16 ft)</p>
<p>Ø 60 mm (2.4 in)</p> <p>Ø 76 mm (3 in)</p> <p>106 mm (4.2 in)</p>	<p>Ø 60 mm (2.4 in)</p> <p>Ø 76 mm (3 in)</p>
	<p>$A_w = 0,024 \text{ m}^2 (0.26 \text{ ft}^2)$</p>
<p>max. 2,95 kg (6.5 lb)</p>	<p>13</p> <p>4 5</p>

LSL30

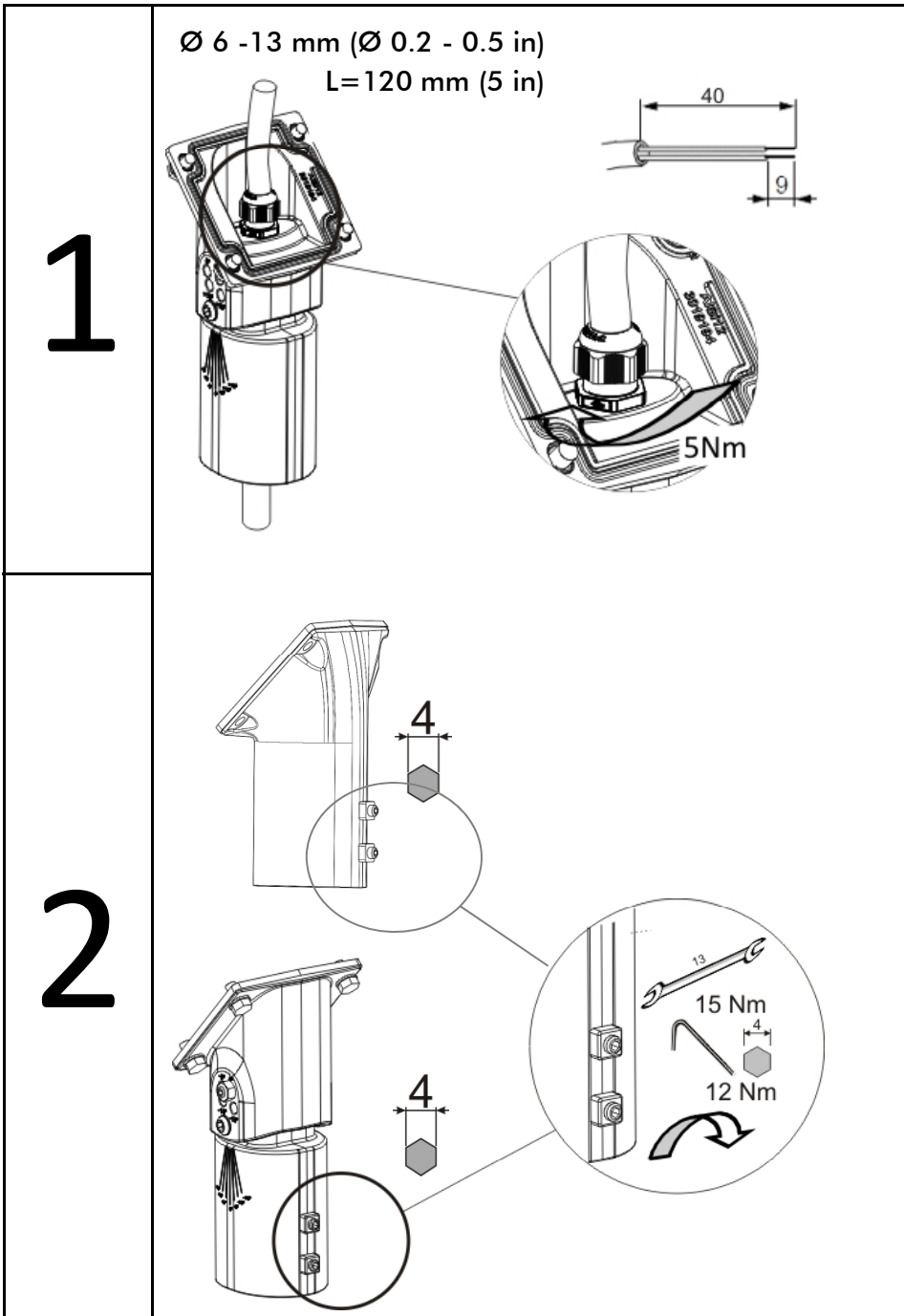
	
	<p>Ø 60 mm (2.4 in) Ø 76 mm (3 in)</p>
	 <p>$A_w = 0,024 \text{ m}^2 (0.26 \text{ ft}^2)$</p>
 <p>max. 3,80 kg (8.4 lb)</p>	

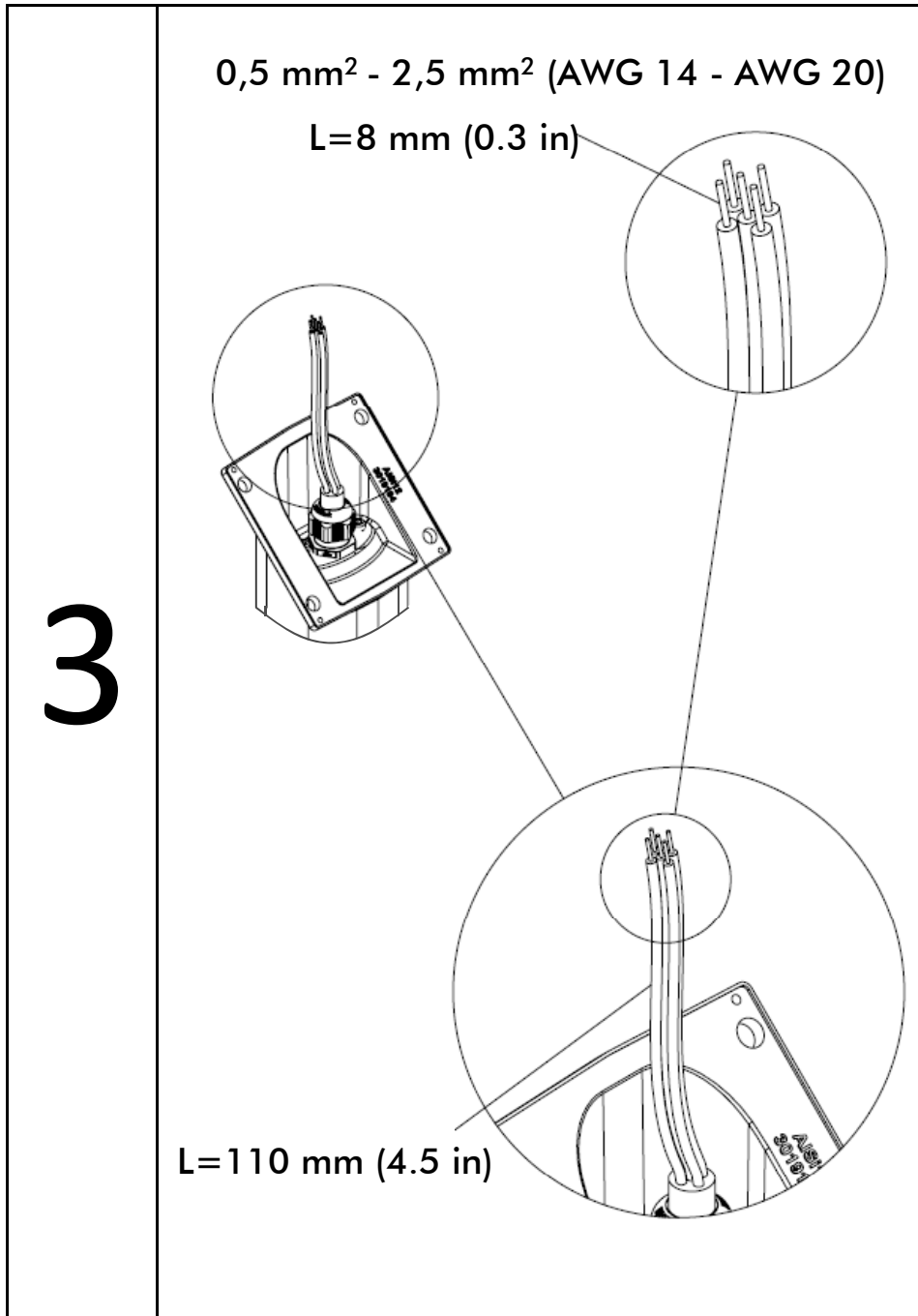
LSL60

<p>720 mm (28.3 in)</p> <p>465 mm (18.3 in)</p> <p>67 mm (2.6 in)</p>	<p>7 - 12 m (23 - 39 ft)</p>
<p>Ø 60 mm (2.4 in)</p> <p>Ø 76 mm (3 in)</p> <p>106 mm (4.2 in)</p>	<p>Ø 60 mm (2.4 in)</p> <p>Ø 76 mm (3 in)</p>
	<p>$A_w = 0,043 \text{ m}^2 (0.46 \text{ ft}^2)$</p>
<p>max. 7,60 kg (16.8 lb)</p>	<p>13</p> <p>4 5</p>

LSL90

	<p>Ø 60 mm (2.4 in) Ø 76 mm (3 in)</p>
	<p>$A_w = 0,043 \text{ m}^2 (0.46 \text{ ft}^2)$</p>
<p>max. 8,00 kg (17.6 lb)</p>	



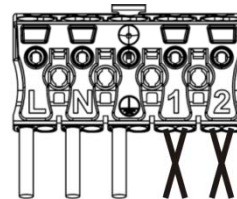
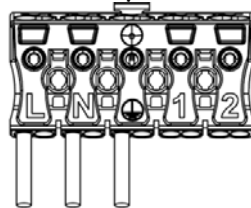




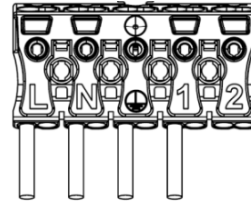
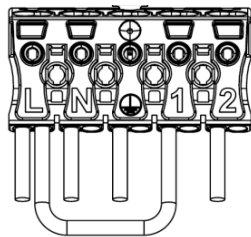
CLASS I

This product must be installed in accordance with the applicable installation code by a person familiar with the construction and operation of the product and the hazards involved

Consult a qualified electrician to ensure correct branch circuit Conductor (Min 90°C supply conductors)



4.1

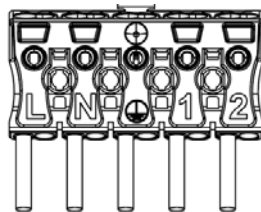


L(2)=0V → ☀=50%

L(1)=0V → ☀=100%

L(2)=230V → ☀=100%

L(1)=230V → ☀=50%



- +

Control terminals are separated from live parts by basic insulation. The installer has to secure save Insulation of control parts!

DC 1-10V

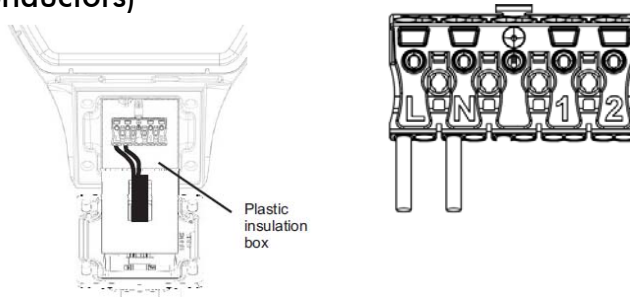
☀=1-100%



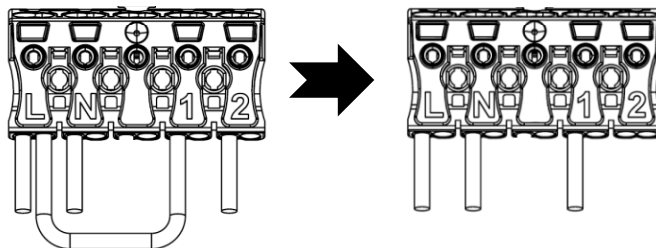
CLASS II

This product must be installed in accordance with the applicable installation code by a person familiar with the construction and operation of the product and the hazards involved

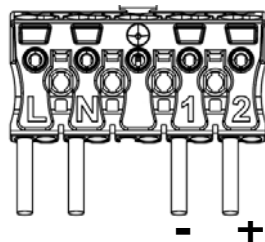
Consult a qualified electrician to ensure correct branch circuit Conductor (Min 90°C supply conductors)



4.2



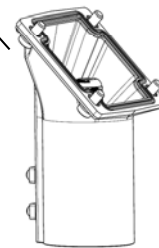
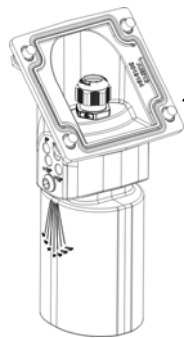
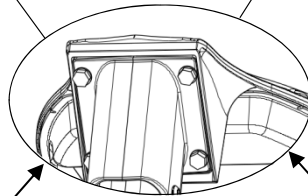
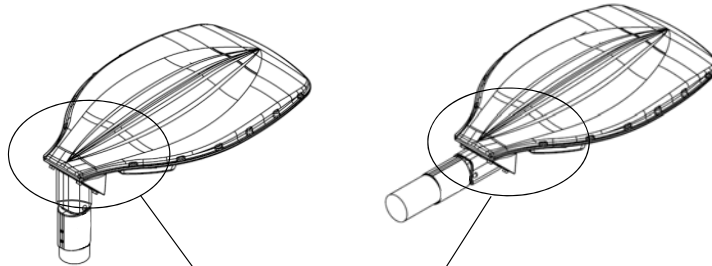
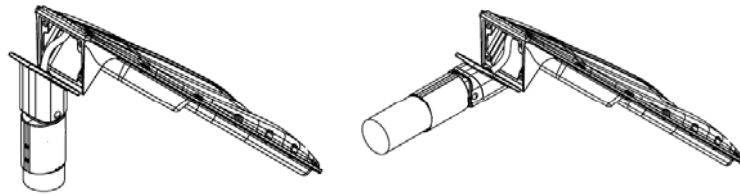
$L(2)=0V \rightarrow \text{light} = 50\%$ $L(1)=0V \rightarrow \text{light} = 100\%$
 $L(2)=230V \rightarrow \text{light} = 100\%$ $L(1)=230V \rightarrow \text{light} = 50\%$



Control terminals are separated from live parts by basic insulation. The installer has to secure save Insulation of control parts!

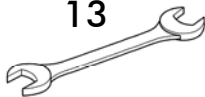
DC 1-10V
 $\text{light} = 1-100\%$

5

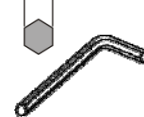


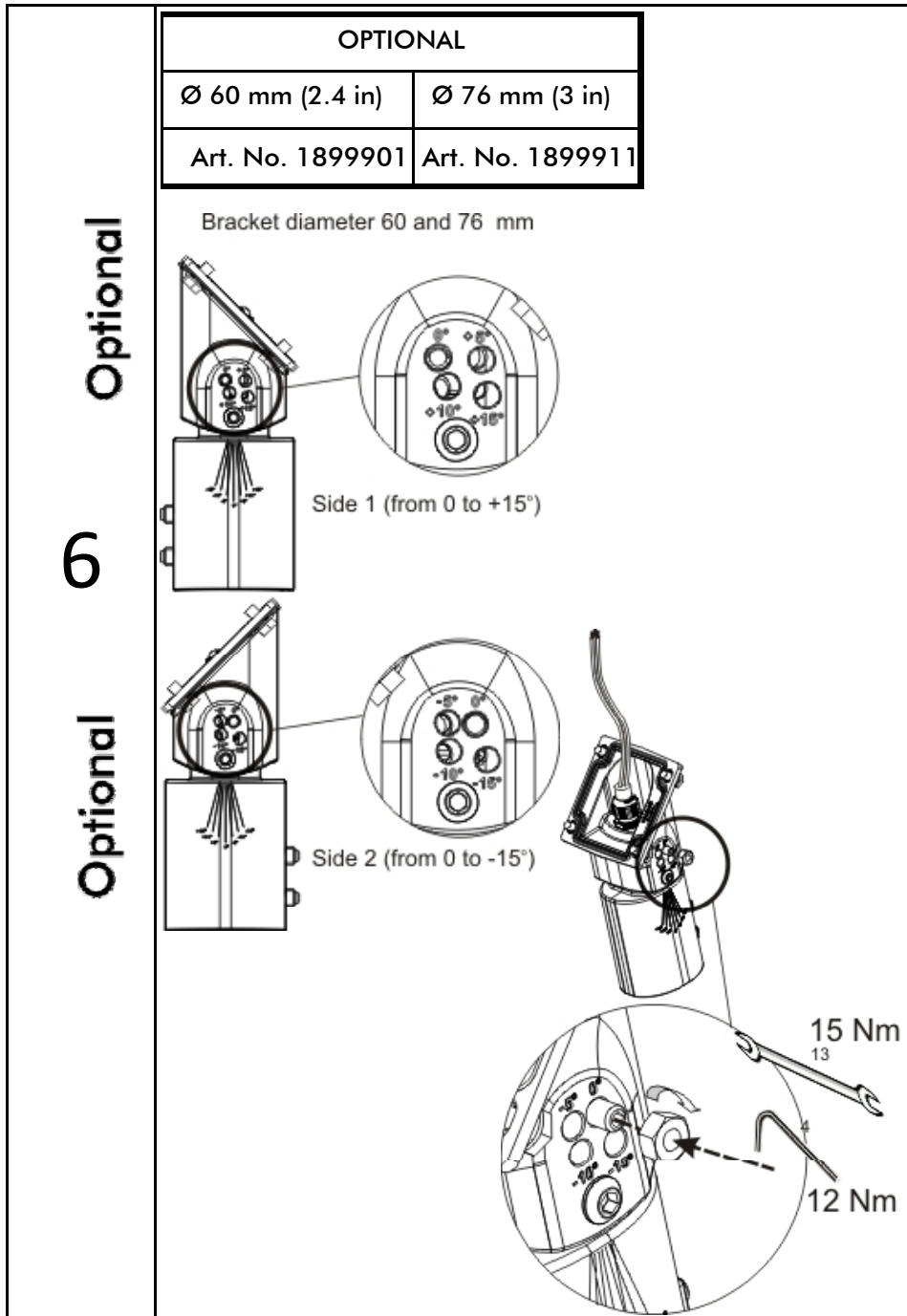
20 Nm (15 ft - lb)
4x M8 x 20 mm

13



5





General safety information / Sicherheitshinweis

USA GB CDN

Installation / maintenance only by qualified personnel.

DE A CH

Installation / Wartung kann durch entsprechend qualifizierte Person eingeholt werden.

SLO

Montažo/vzdrževanje lahko opravi le strokovno usposobljena oseba.

F B

Les opérations d'installation et d'entretien doivent être effectuées exclusivement par des personnes qualifiées.

HR BIH

Montažu/održavanje mora vršiti odgovarajuće osposobljena osoba.

SCG

Montažu/održavanje može da obavi samo stručno osposobljena osoba.

S

Montering akötsel endaat av fackfolk.

I

Montaggio / Manutenzione solo per mezzo di Personale specializzato.

TR

Montaj ve Bakim sadece yetkili personel tarafından yapılmalıdır.

H

A szerelés / karbantartást csak szakszemélyzet végezheti.

N

Monteres kun av fagpersonell.

NL

Montage / service alleen door vakkundig personeel.

R

Монтаж / обслуживание только специалистами.

P

Montagem/Manutenção efectuada unicamente por pessoal técnico especializado.

GR

Τοποθέτηση / Συντήρηση μόνο από ηλεκτρολόγο.

SK CZ

Montáž a údržba může být prováděna výhradně odbornou pracovní silou.

POL

Montaż / konserwacja tylko przez fachowy personal.

E

El montaje y mantenimiento lo efectuaran únicamente los técnicos especializados.

**Modification and opening of the device is not allowed!
Eingriffe und öffnen des Gerätes verboten!**

GRAH Lighting

Zadružna ul. 6
SI-2310 Slovenska Bistrica
Slovenija

Tel.: +386 (0)82 801 424
Fax: +386 (0)82 801 402
Mail: info@grahlighting.com
www.grahlighting.com